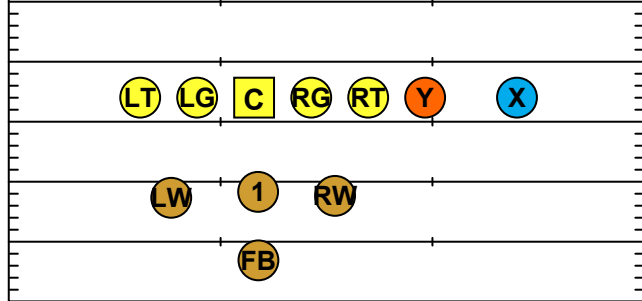
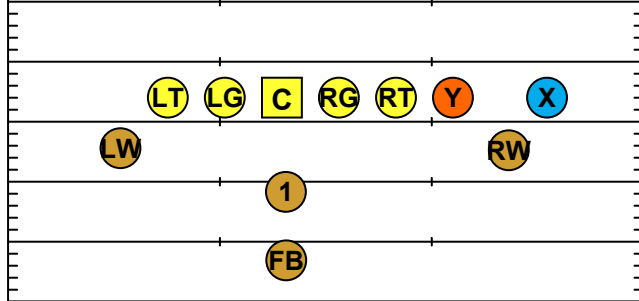


Combining The Hybrid Diamond and Flexbone Pistol Wing-T Offenses

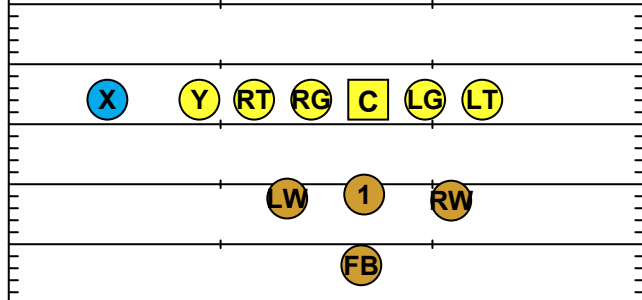
Diamond Right "X" Over / Rope



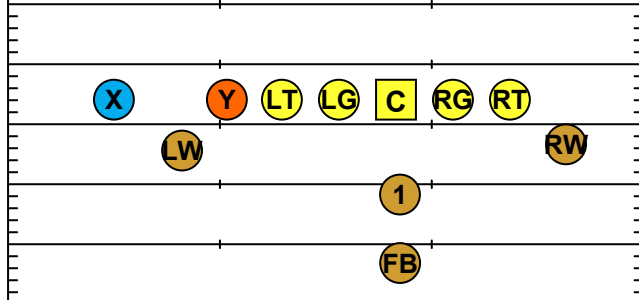
Pistol Flex Right "X" Over / Rope



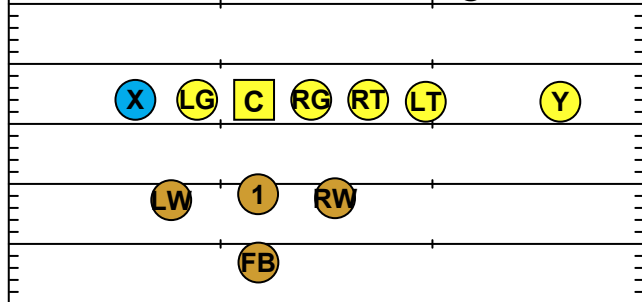
Diamond Left / Lasso



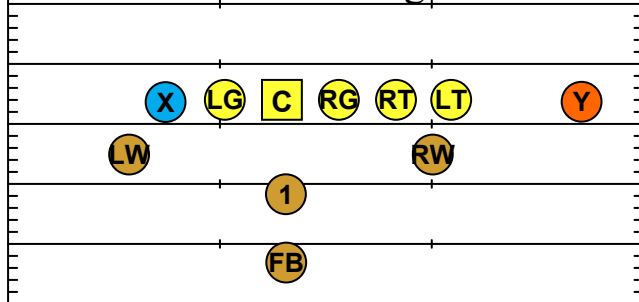
Pistol Flex Left / Lasso



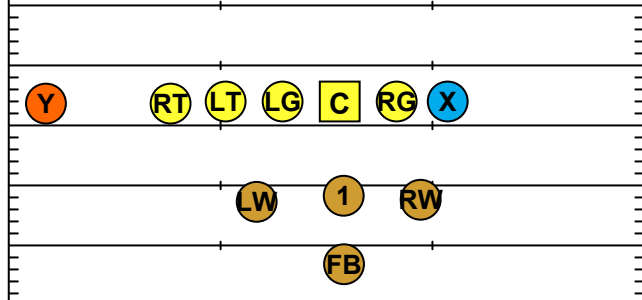
Diamond Unbalanced Right / Texas



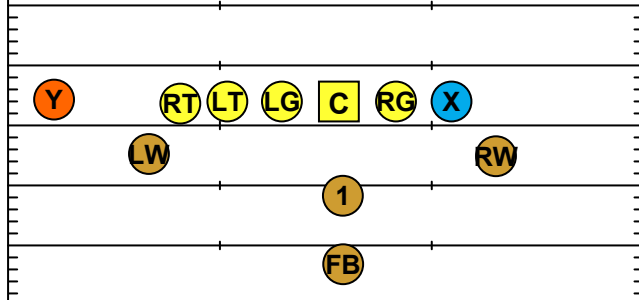
Pistol Unbalanced Right / Texas



Diamond Unbalanced Left / Utah



Pistol Unbalanced Left / Utah

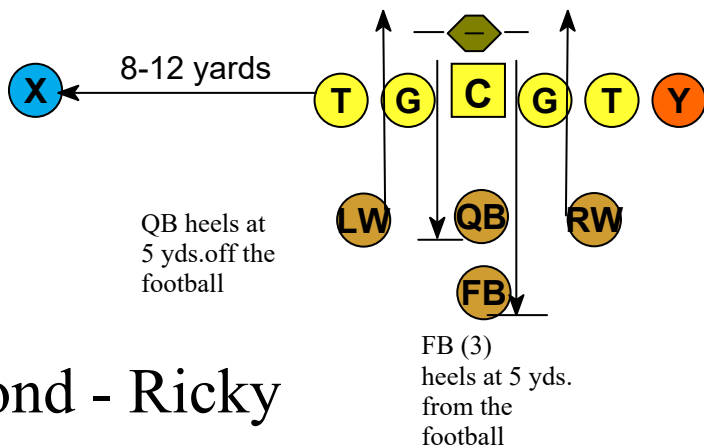


Formation Identification

Diamond Right = Huddle Call
 Ricky = Hurry Up No Huddle Alert
 Linda = (Tight End Left)

If You're Going To Be Different,
 Then You Have To Act Different

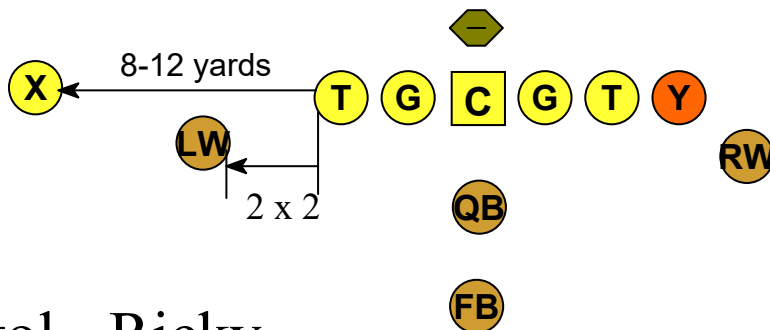
As you read through this manual I will always give you the offensive call. I will give you a standard huddle formation alert along with a wrist band coded formation call.



Diamond - Ricky

Pistol Flex Right = Huddle Call
 Ricky = Hurry Up No Huddle Alert (Tight End Right)
 Linda = (Tight End Left)

If You're Going To Be Different,
 Then You Have To Act Different

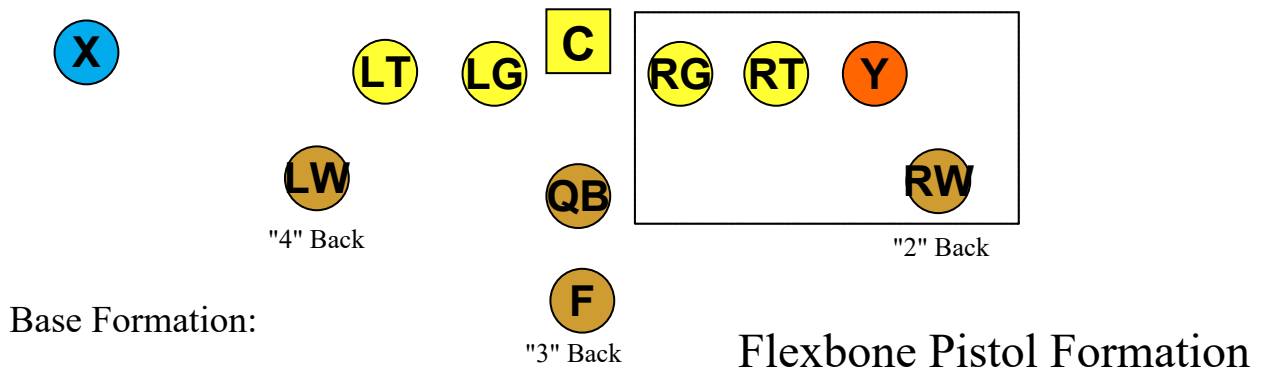
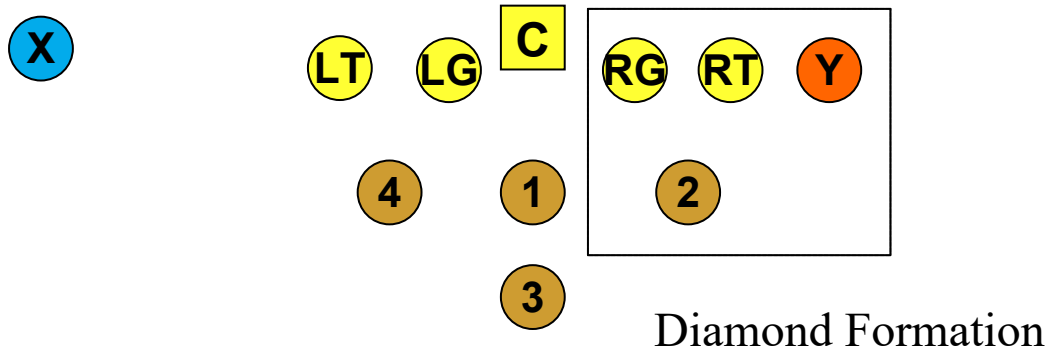
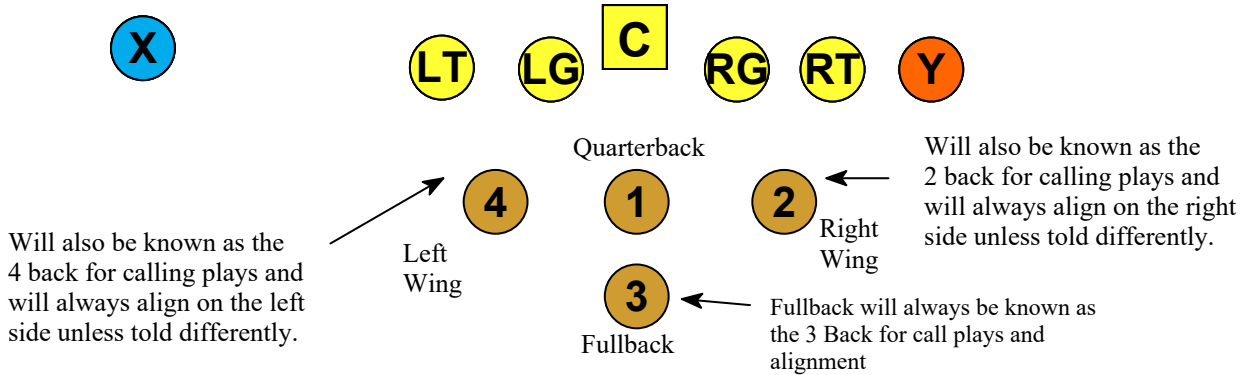


Pistol - Ricky

Coaches an important point to remember as you read the following pages that I have given formations none traditional names to compliment the no-huddle approach. All formations are alerted out loud thus, the reason for the non-traditional formation names.

As you install your offense the formation names can be anything you would like to call them as long as you are comfortable with them.

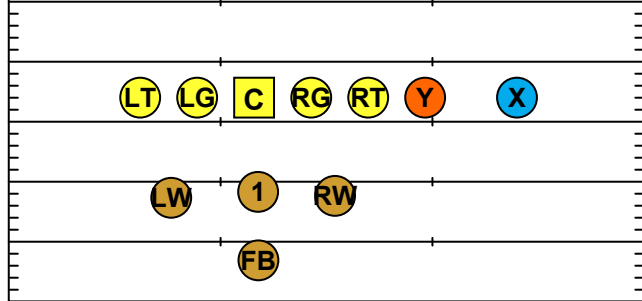
Position Terminology Diamond & Flexbone Sets



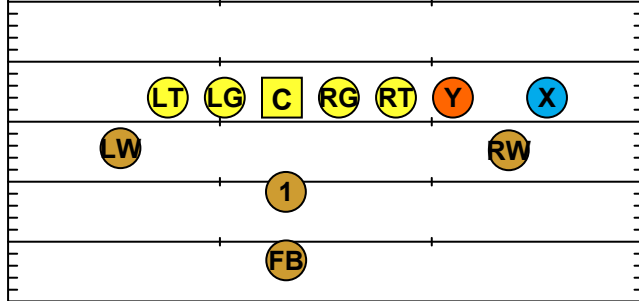
- 1 = Quarterback
- 2 = Right Wing will always align to the right side of the offense.
- 3 = Fullback Always aligned behind the Quarterback.
- 4 = Left Wing will always align to the left side of the offense.

Combining The Hybrid Diamond and Flexbone Pistol Wing-T Offenses

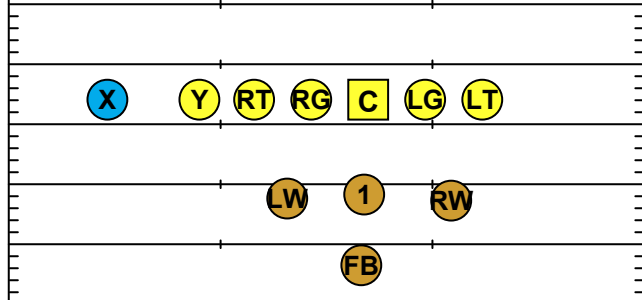
Diamond Right "X" Over / Rope



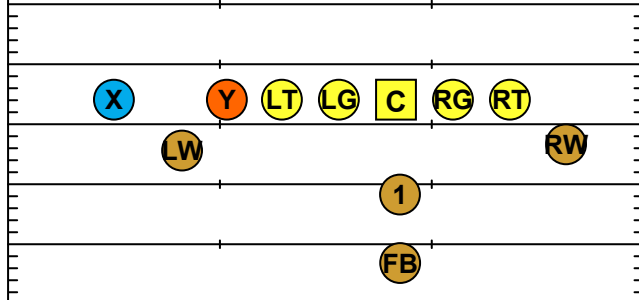
Pistol Flex Right "X" Over / Rope



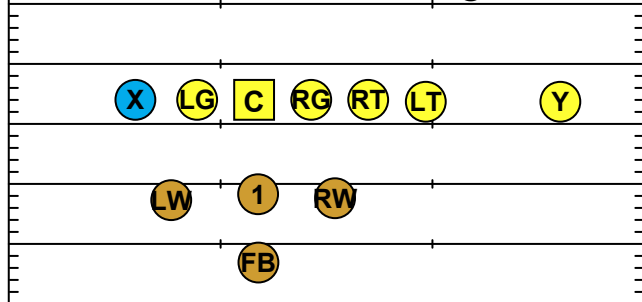
Diamond Left / Lasso



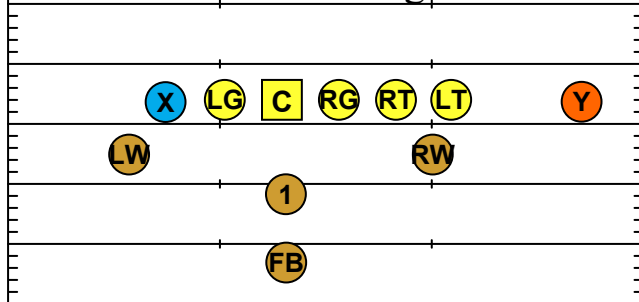
Pistol Flex Left / Lasso



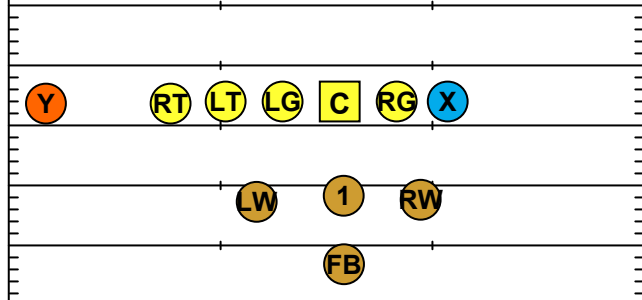
Diamond Unbalanced Right / Texas



Pistol Unbalanced Right / Texas



Diamond Unbalanced Left / Utah



Pistol Unbalanced Left / Utah

